

|             |                |
|-------------|----------------|
| Project     |                |
| Date        |                |
| Prepared By |                |
| Model #     | LDFP2X2WSCCTD1 |

## Specifications

### ELECTRICAL

Watts: 20, 30 or 35  
 Voltage: 120-277VAC  
 Power Factor: 0.9113  
 THD: 7.86%  
 Operating Temp. Range:  
 -40°C (-40°F) - 40°C (104°F)

### LIGHT

Lumens:  
 2200, 3300 or 4000  
 Color Temperature:  
 3500K, 4000K, 5000K  
 CRI: 80+  
 Driver: 0-10V  
 Operation:  
 Dimmable down to 10%

### AGENCY APPROVALS

ETL/FCC: Yes  
 IC Rated: Yes  
 DLC®: Yes

### PRODUCT DETAILS

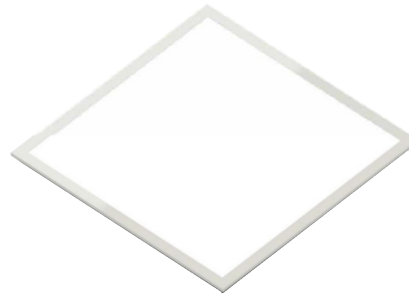
Lens Material: Acrylic  
 Rated Life: 50,000 hrs.  
 Warranty: 5 years  
 Individual Weight:  
 3.8 LBS  
 Dimensions:  
 23.62" Length  
 23.62" Width  
 1.55" Depth



Norton Shores, Michigan 49441  
 T: 231.332.1188 | F: 231.726.5029  
 TOLL FREE: 866.632.7840  
 www.earthtronics.com

# Back Light LED Panel 2x2

Color and Wattage Selectable



### ORDER CODE:

11496

### MODEL NUMBER:

LDFP2X2WSCCTD1

### COLOR SELECTABLE:

3500K, 4000K, 5000K

### LUMEN LEVEL:

2200 lumens - 20 watts  
 3300 lumens - 30 watts  
 4000 lumens - 35 watts

### DLC PRODUCT ID:

PL8ZXRZQ08DG

### REBATE AVAILABILITY\*

### PRODUCT DESCRIPTION

This 2x2 LED back light design provides the flexibility to insure the correct light level and color temperature desired in different applications. Select from 3500K, 4000K or 5000K color temperatures as well as 2200, 3300 or 4000 lumen levels with a switch located on the driver housing. The lightweight housing and slim design, measures only 1.5 inches in depth. The integral j-box and driver housing provide ample access for easy installation. The fixture is constructed using stamped steel back plate that provides excellent LED cooling as well as contributing rigidity to the design. The interior of the fixture is highly reflective white powder coated. The direct illumination panel is ideal for use in offices, schools, healthcare facilities and other commercial applications. This 2x2 panel features 120-277V voltage operation with an electronic driver that works with 0 – 10 volt dimming systems. DLC® listed.

### PRODUCT FEATURES

- + Select from 3500K, 4000K and 5000K at installation with a simple switch located on the driver
- + Direct illumination provides true color over the life of the product
- + Driver standard with 0-10V dimming (prewired)
- + Fixture interior painted white for over 96% reflectivity
- + Continuous dimming to 10% or below
- + Contractor friendly box for easy installation
- + Aluminum fram fits properly in drop ceiling panels
- + Extended 10 year limited warranty available
- + Integral LED lens is constructed from PMMA and provides even illumination across the face of the panel
- + DLC® Technical Requirement 5.1

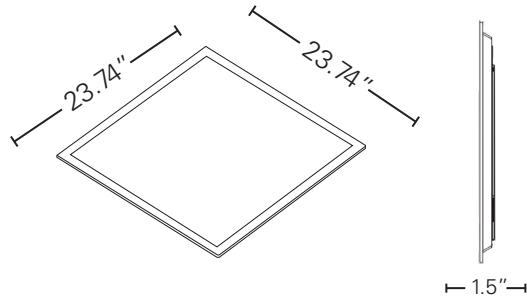
### APPLICATIONS

- + Offices
- + Schools
- + Healthcare Facilities
- + Commercial Applications

Please consult installation instructions for proper application and use of this fixture.  
 \*Rebate availability access it here: [www.earthtronics.com/rebate-finder](http://www.earthtronics.com/rebate-finder)



### PRODUCT DIMENSIONS



### PACKAGE DETAILS

Master Carton Qty: 2

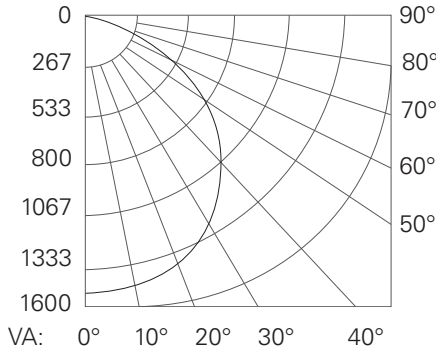
Dimensions:

24.65" Length x 25.75" Width x 3.67" Depth

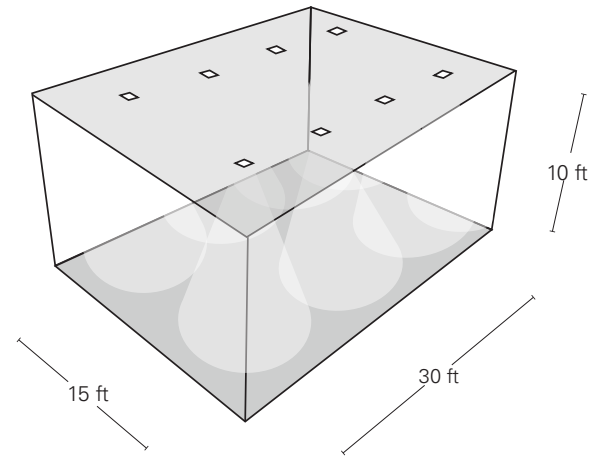
Weight: 9.4 LBS

UPC: 840791116739

### LIGHT DISTRIBUTION CURVE

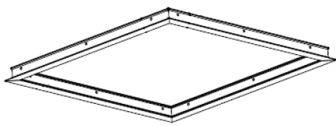
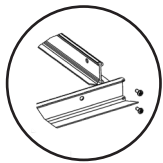


### LIGHTING LAYOUT

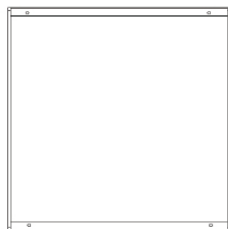


Average Illuminance: 50 fc  
 Number of Luminaires: 8  
 Workplane Height: 2.5 ft

### OPTIONAL ACCESSORIES



**Recessed Drywall Kit**  
 Order Code: 11101



**Surface Mount**  
 Order Code: 11530



**External Emergency Backup Unit**  
 Order Code: 11469

\* Wire Hanging Kit Available - Order code: 10465

Easily access our DLC qualified products with rebates in your area.

ACCESS IT HERE: [Rebate Finder - Back Light LED Panel](#)

[www.earthtronics.com/rebate-finder/catalog/](http://www.earthtronics.com/rebate-finder/catalog/)

